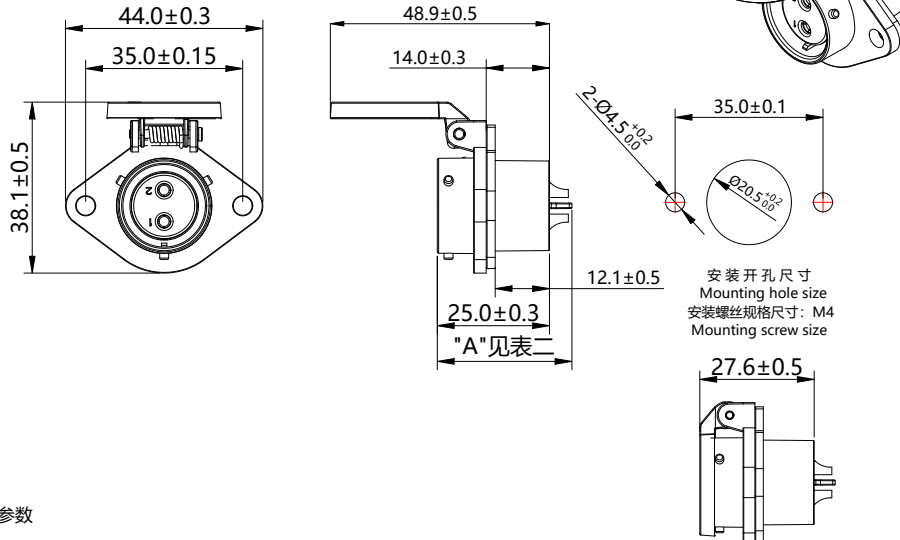


7	8	9	10
ECN NO.	REV.	MODIFICATION	DATE
/	A1	初版发行	2024/01/03
			DRAW APPROVED
			杨今心 宋星亮



表一：电气参数

芯数	2芯	3芯	4芯	5芯	7芯	9芯	12芯
母端 Female							
公端 Male							
额定电流 Rated current	20A		10A		5A		
额定电压 Rated voltage	500V AC		2000V AC		1500V AC		
绝缘耐压 (Max) Dielectric withstanding voltage	2000V AC		3.0mΩ		5.0mΩ		
接触电阻 (Max) Contact resistance	1.0mΩ		3.0mΩ		5.0mΩ		
绝缘电阻 (Min) Insulation resistance	500MΩ						
线规 Wire gauge	2.5~4.0mm ² /14~12AWG		1.0~1.5mm ² / 18~16AWG		0.34~0.5mm ² /22~20AWG		
接线方式 Terminid type	焊接/welding						
线径直径 Cable Op	/						
紧固扭矩 Tightening torque	0.4N.M						
防护等级 Ip code	对接状态IP65~IP68 (IP65标配/可选IP67&IP68) /IP65~IP68 mated(P65 Standard/IP67&IP68 Option)						
机械寿命 (Min) Operating cycles	500次						
工作温度 Operating temperature	-40°C ~ +85°C(金属款/Metal shell)						

- 编码原则:
Part Number rules
YA-20- X XX XX- X X -X XX X
1 2 3 4 5 6 7 8 9 10
- 产品系列: 以两个字母表示如LP/DH/BD/YF/YP/YW/YZ/LK...等
Product series is represented by two capital letters such as LP/DH/BD/YF/YP/YW/YZ/LK, etc.
 - 产品型号: 12/16/20/24/28.
Product number
 - 公母类别: C=公针/端 J=母针/端 K=公母混合
Interface type C=male pin/end J=female pin/end K=both male and female pins
 - 接口类别: Interface type
 - 电源&信号:非PIN针=00
Non-pin type=00
PIN针类: 01=单芯 02=2芯 03=3芯 04=4芯....
Pin type:01=single pin 02=2 pin 03=3 pin 04=4 pin....
 - 数据&信号类: USB\HDMI\RJ45\ (光纤: LC/FC/SC/ST/MPO/MTP等).
Signal class: USB\HDMI\RJ45\ (optical fiber: LC/FC/SC/ST/MPO/MTP, etc.)
数据&信号类范例:
Signal type example: /USB3A/1 0 0
- | | | | |
|-----------------|-------|-------|---------|
| USB 3A: USB 3.0 | 0 0接口 | 0 不防水 | 0 带PCB板 |
| USB 3B: USB 3.1 | 1 1接口 | 1 防水 | 1 带Hsg |
| 其它款依此类推 | 2 2接口 | | 2 口朝上 |
| And so on | | | 3 直通式 |
| | | | 4 口朝下 |
| | | | 5 带胶芯 |
| | | | 6 胶芯带线 |
- 连接器类型 PE=插头 SX=插座 PP=对接插座
Connector Type PE=Plug SX=Receptacle PP=Floating connector
 - 接线方式 0=焊接 1=压接 2=锁线 3=铆接 4=其它
Wiring method 0=Soldering 1=Crimping 2=Screwing 3=Riveting 4=Other
 - 材料属性 1=塑胶+金属 2=全塑胶 3=全金属
Material 1=Plastic+metal 2=All plastic 3=All metal
 - 特殊码 0=插头 1=单孔直式插座 2=两孔法兰插座 4=四孔法兰插座
Special code 0=Plug/Floating connector 1=Single-hole straight receptacle
2=Two-hole flange receptacle 4=Four-hole flange receptacle
 - 流水码Streaming code :01-99
 - 区别码空白或A~Z / Distinction code:blank or A-Z

X.X±0.3 X°±3° X.XX±0.15 X.X°±1.0° X.XXX±0.100 未注圆角R0.2		TOLERANCES UNLESS OTHERWISE SPECIFIED	
DRAWN	杨今心	2024/01/03	TITLE:
CHECKED	杨武	2024/01/03	YA20型两孔法兰x插座金属款焊接式
APPROVED	宋星亮	2024/01/03	P/N:
UNIT: mm	SIZE:A4	SHEET:1/2	YA-20-xxxSX-03-2xx
PORJ.		SCALE /	A1

THIS INFORMATION IS CONFIDENTIAL AND IS DISCLOSED TO YOU ON CONDITION THAT NO FURTHER DISCLOSURE IS MADE BY YOU TO OTHER THAN LINKO ELECTRIC PERSONNEL WITHOUT WRITTEN AUTHORIZATION FROM LINKO CORP.

THIS INFORMATION IS CONFIDENTIAL AND IS DISCLOSED TO YOU ON CONDITION THAT NO FURTHER DISCLOSURE IS MADE BY YOU TO OTHER THAN LINKO ELECTRIC PERSONNEL WITHOUT WRITTEN AUTHORIZATION FROM LINKO CORP.

COPYRIGHT - 2023		BY LINKO ELECTRIC COPYRIGHT		7	8	9	10
ECN NO.	REV.	MODIFICATION	DATE	DRAW	APPROVED		
/	A1	初版发行	2024/01/03	杨今心	宋星亮		

表二(“A”尺寸对照)



	2芯	3芯	4芯	5芯	7芯	9芯	12芯
母端 Female							
A	29.9	33.9	29.9	27.9	27.9	29.0	29.0
公端 Male							
A	30.1	33.9	30.1	28.4	28.4	28.0	28.0

X.X±0.3 X°±3° X.XX±0.15 X.X°±1.0° X.XXX±0.100 未注圆角R0.2		深圳市凌科电气有限公司 SHENZHEN LINKO ELECTRIC CO.,LTD	
TOLERANCES UNLESS OTHERWISE SPECIFIED			
DRAWN	杨今心	2024/01/03	TITLE:
CHECKED	杨武	2024/01/03	YA20型两孔法兰x插座金属款焊接式
APPROVED	宋星亮	2024/01/03	P/N:
UNIT: mm	SIZE:A4	SHEET:2/2	YA-20-xxxSX-03-2xx
PORJ.		SCALE /	A1