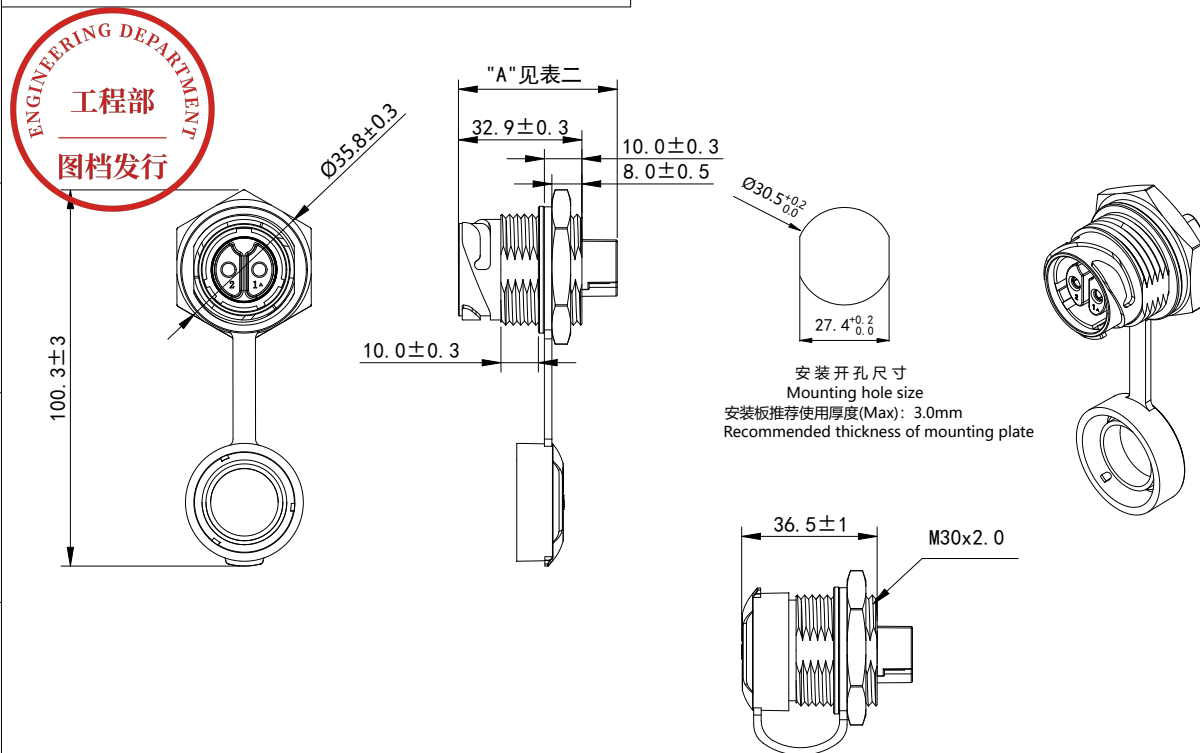


ECN NO.	REV.	MODIFICATION	DATE	DRAWN	APPROVED
N/A	A1	初版发行	2024/01/18	杨心欣	宋星亮



编码原则:

Part Number rules

DH-24-X XX XX-X X-X XX X

1 2 3 4 5 6 7 8 9 10

- 产品系列: 以两个字母表示如LP/DH/BD/YF/YP/YW/YZ/LK...等
Product series is represented by two capital letters such as LP/DH/BD/YF/YP/YW/YZ/LK, etc.
- 产品型号: 12/16/20/24/28.

Product number

- 公母类别: C=公针/端 J=母针/端 K=公母混合
Interface type C=male pin/end J=female pin/end K=both male and female pins

接口类别:

- 4.1 电源&信号: 非PIN针=00
Non-pin type=00
PIN针类: 01=单芯 02=2芯 03=3芯 04=4芯...
Pin type: 01=single pin 02=2 pin 03=3 pin 04=4 pin....
- 4.2 数据&信号类: USB\HDMI\RJ45\ (光纤: LC/FC/SC/ST/MPO/MTP等).
Signal class: USB\HDMI\RJ45\ (optical fiber: LC/FC/SC/ST/MPO/MTP, etc.
数据&信号类范例:
Signal type example: /USB3A/1 0 0

USB 3A: USB 3.0
USB 3B: USB 3.1
其它款依此类推
And so on

0	0接口	0	不防水
1	1接口	1	防水
2	2接口		

0	带PCB板
1	带Hsg
2	口朝上
3	直通式
4	口朝下
5	带胶芯
6	胶芯带线

- 连接器类型 PE=插头 SX=插座 PP=对接插座
Connector Type PE=Plug SX=Receptacle PP=Floating connector
- 接线方式 0=焊接 1=压接 2=锁线 3=铆接 4=其它
Wiring method 0=Soldering 1=Crimping 2=Screwing 3=Riveting 4=Other
- 材料属性 1=塑胶+金属 2=全塑胶 3=全金属
Material 1=Plastic+metal 2=All plastic 3=All metal
- 特殊码 0=插头 1=单孔直式插座 2=两孔法兰插座 4=四孔法兰插座
Special code 0=Plug/Floating connector 1=Single-hole straight receptacle 2=Two-hole flange receptacle 4=Four-hole flange receptacle
- 流水码 Streaming code :01-99
- 区别码空白或A ~Z / Distinction code: blank or A-Z

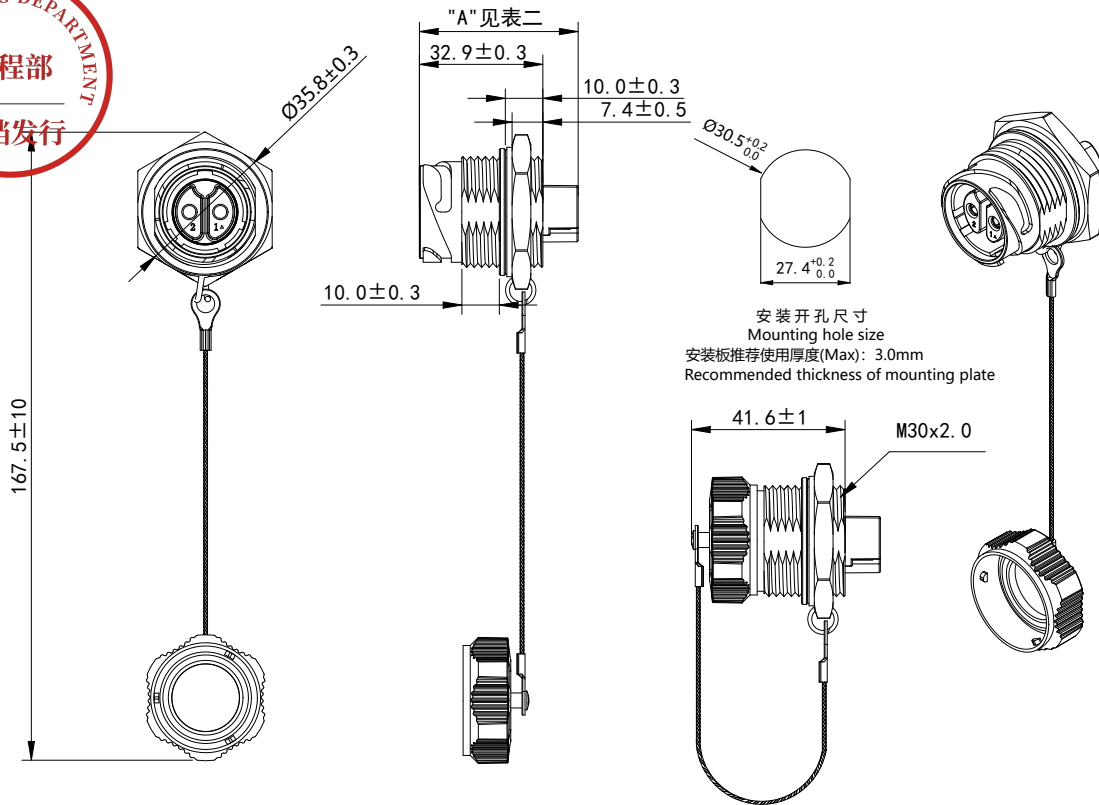
表一: 电气参数/Electrical parameters

芯数	2芯	3芯	4芯	XX芯	XX芯	XX芯
母端 Female						
公端 Male						
额定电流 Rated current	25A	25A				
额定电压 Rated voltage	300V AC	300V AC				
耐压 (Max) Dielectric withstanding voltage	1500V AC	1500V AC				
接触阻抗 (Max) Contact resistance	1.0mΩ	1.0mΩ				
绝缘阻抗 (Min) Insulation resistance	500MΩ	500MΩ				
线规 Wire gauge	2.5*4.0mm ² /14~12AWG	2.5*4.0mm ² /14~12AWG				
接线方式 Terminal Type	☐ 锁线/Screwing					
线径直径 Cable OD	/					
紧固扭矩 Tightening torque	2.5N.m(外壳shell)/0.4N.m(导体conductor)					
防护等级 IP grade	对接状态 ☐ IP65	☐ IP67	☑ IP68	☐ IPx9k		
机械寿命 (Min) Operating cycles	500次					
工作温度 Operating temperature	-40°C ~ +85°C(金属款/Metal shell)					

表二: "A"尺寸/Length

芯数	2芯	3芯
母端 Female		
A	40.9 "A" ± 0.5 	40.9 "A" ± 0.5
公端 Male		
A	40.9 "A" ± 0.5 	40.9 "A" ± 0.5

X.X±0.3 X°±3° X.XX±0.15 X.X°±1.0° X.XXX±0.100 未注圆角R0.2 TOLERANCES UNLESS OTHERWISE SPECIFIED		 深圳市凌科电气有限公司 SHENZHEN LINKO ELECTRIC CO.,LTD	
DRAWN	杨心欣	2024/01/18	TITLE:
CHECKED	杨武	2024/01/18	DH24型单孔直式X插座金属款
APPROVED	宋星亮	2024/01/18	锁线式
UNIT: mm	SIZE:A4	SHEET:1/2	P/N:
PORJ.		SCALE /	DH-24-xxxSX-23-1xxx
			A1



安装开孔尺寸
Mounting hole size
安装板推荐使用厚度(Max): 3.0mm
Recommended thickness of mounting plate

ECN NO.	REV.	MODIFICATION	DATE	DRAWN	APPROVED
N/A	A1	初版发行	2024/01/18	杨心今	宋星亮

编码原则:

Part Number rules

DH-24- X XX XX- X X -X XX X

1 2 3 4 5 6 7 8 9 10

1. 产品系列: 以两个字母表示如LP/DH/BD/YF/YP/YW/YZ/LK...等

Product series is represented by two capital letters such as LP/DH/BD/YF/YP/YW/YZ/LK, etc.

2. 产品型号: 12/16/20/24/28.

Product number

3. 公母类别: C=公针/端 J=母针/端 K=公母混合

Interface type C=male pin/end J=female pin/end K=both male and female pins

4. 接口类别:

Interface type

4.1 电源&信号: 非PIN针=00

Non-pin type=00

PIN针类: 01=单芯 02=2芯 03=3芯 04=4芯....

Pin type: 01=single pin 02=2 pin 03=3 pin 04=4 pin....

4.2 数据&信号类: USB\HDMI\RJ45\ (光纤: LC/FC/SC/ST/MPO/MTP等).

Signal class: USB\HDMI\RJ45\ (optical fiber: LC/FC/SC/ST/MPO/MTP, etc.

数据&信号类范例:

Signal type example: /USB3A/1 0 0

USB 3A: USB 3.0
USB 3B: USB 3.1
其它款依此类推
And so on

0	0接口
1	1接口
2	2接口

0	不防水
1	防水

0	带PCB板
1	带Hsg
2	口朝上
3	直通式
4	口朝下
5	带胶芯
6	胶芯带线

5. 连接器类型 PE=插头 SX=插座 PP=对接插座

Connector Type PE=Plug SX=Receptacle PP=Floating connector

6. 接线方式 0=焊接 1=压接 2=锁线 3=铆接 4=其它

Wiring method 0=Soldering 1=Crimping 2=Screwing 3=Riveting 4=Other

7. 材料属性 1=塑胶+金属 2=全塑胶 3=全金属

Material 1=Plastic+metal 2=All plastic 3=All metal

8. 特殊码 0=插头 1=单孔直式插座 2=两孔法兰插座 4=四孔法兰插座

Special code 0=Plug/Floating connector 1=Single-hole straight receptacle

2=Two-hole flange receptacle 4=Four-hole flange receptacle

9. 流水码Streaming code :01-99

10. 区别码空白或A ~Z / Distinction code:blank or A-Z

表一: 电气参数/Electrical parameters

芯数	2芯	3芯	4芯	XX芯	XX芯	XX芯
母端 Female						
公端 Male						
额定电流 Rated current	25A	25A				
额定电压 Rated voltage	300V AC	300V AC				
绝缘电压 (Max) Dielectric withstanding voltage	1500V AC	1500V AC				
接触阻抗 (Max) Contact resistance	1.0mΩ	1.0mΩ				
绝缘阻抗 (Min) Insulation resistance	500MΩ	500MΩ				
线规 Wire gauge	2.5*4.0mm ² /14~12AWG	2.5*4.0mm ² /14~12AWG				
接线方式 Terminal type	□ 锁线/Screwing					
线径 Cable OD	/					
紧固扭矩 Tightening torque	2.5N.m(外壳shell)/0.4N.m(导体conductor)					
防护等级 IP code	对接状态	<input type="checkbox"/> IP65	<input type="checkbox"/> IP67	<input checked="" type="checkbox"/> IP68	<input type="checkbox"/> IPx9k	
机械寿命 (Min) Operating cycles	500次					
工作温度 Operating temperature	-40°C ~ +85°C(金属款/Metal shell)					

表二: "A"尺寸/Length

芯数	2芯	3芯
母端 Female		
A	40.9 "A"±0.5 	40.9 "A"±0.5
公端 Male		
A	40.9 "A"±0.5 	40.9 "A"±0.5

X.X±0.3	X°±3°
X.XX±0.15	X.X°±1.0°
X.XXX±0.100	未注圆角R0.2
TOLERANCES UNLESS OTHERWISE SPECIFIED	



深圳市凌科电气有限公司
SHENZHEN LINKO ELECTRIC CO.,LTD

DRAWN	杨心今	2024/01/18
CHECKED	杨武	2024/01/18
APPROVED	宋星亮	2024/01/18
UNIT: mm	SIZE:A4	SHEET:2/2
PORJ.		SCALE /

TITLE:	DH24型单孔直式x插座金属款锁线式
P/N:	DH-24-xxxSX-23-1xxx
	A1

THIS INFORMATION IS CONFIDENTIAL AND IS DISCLOSED TO YOU ON CONDITION THAT NO FURTHER DISCLOSURE IS MADE BY YOU TO OTHER THAN LINKO ELECTRIC PERSONNEL WITHOUT WRITTEN AUTHORIZATION FROM LINKO CORP.