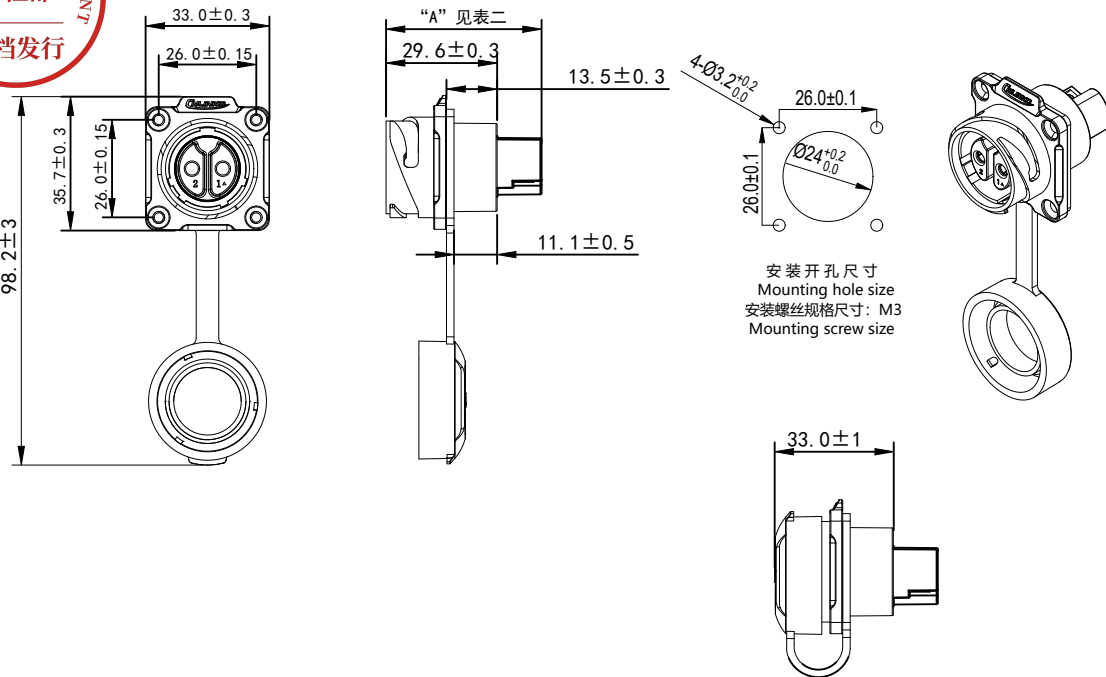


| | | | | | |
|---------|------|--------------|------------|-------|----------|
| ECN NO. | REV. | MODIFICATION | DATE | DRAWN | APPROVED |
| N/A | A1 | 初版发行 | 2024/01/18 | 杨心今 | 宋星亮 |



安装开孔尺寸
Mounting hole size
安装螺丝规格尺寸: M3
Mounting screw size

编码原则:

Part Number rules

DH-24- X XX XX- X X -X XX X

1 2 3 4 5 6 7 8 9 10

1. 产品系列: 以两个字母表示如LP/DH/BD/YF/YP/YW/YZ/LK...等

Product series is represented by two capital letters such as LP/DH/BD/YF/YP/YW/YZ/LK, etc.

2. 产品型号: 12/16/20/24/28.

Product number

3. 公母类别: C=公针/端 J=母针/端 K=公母混合

Interface type C=male pin/end J=female pin/end K=both male and female pins

4. 接口类别:

Interface type

4.1 电源&信号: 非PIN针=00

Non-pin type=00

PIN针类: 01=单芯 02=2芯 03=3芯 04=4芯....

Pin type: 01=single pin 02=2 pin 03=3 pin 04=4 pin....

4.2 数据&信号类: USB\HDMI\RJ45\ (光纤: LC/FC/SC/ST/MPO/MTP等).

Signal class: USB\HDMI\RJ45\ (optical fiber: LC/FC/SC/ST/MPO/MTP, etc.

数据&信号类范例:

Signal type example: /USB3A/1 0 0

USB 3A: USB 3.0
USB 3B: USB 3.1
其它款依此类推
And so on

| | |
|---|-----|
| 0 | 0接口 |
| 1 | 1接口 |
| 2 | 2接口 |

| | |
|---|-----|
| 0 | 不防水 |
| 1 | 防水 |

| | |
|---|-------|
| 0 | 带PCB板 |
| 1 | 带Hsg |
| 2 | 口朝上 |
| 3 | 直通式 |
| 4 | 口朝下 |
| 5 | 带胶芯 |
| 6 | 胶芯带线 |

5. 连接器类型 PE=插头 SX=插座 PP=对接插座

Connector Type PE=Plug SX=Receptacle PP=Floating connector

6. 接线方式 0=焊接 1=压接 2=锁线 3=铆接 4=其它

Wiring method 0=Soldering 1=Crimping 2=Screwing 3=Riveting 4=Other

7. 材料属性 1=塑胶+金属 2=全塑胶 3=全金属

Material 1=Plastic+metal 2=All plastic 3=All metal

8. 特殊码 0=插头 1=单孔直式插座 2=两孔法兰插座 4=四孔法兰插座

Special code 0=Plug/Floating connector 1=Single-hole straight receptacle

2=Two-hole flange receptacle 4=Four-hole flange receptacle

9. 流水码Streaming code :01-99

10. 区别码空白或A ~Z / Distinction code:blank or A-Z

表一: 电气参数/Electrical parameters

| 芯数 | 2芯 | 3芯 | 4芯 | XX芯 | XX芯 | XX芯 |
|---|----------------------------------|----------------------------------|--------|--|---------|-----|
| 母端 Female | | | | | | |
| 公端 Male | | | | | | |
| 额定电流 Rated current | 25A | 25A | | | | |
| 额定电压 Rated voltage | 500V AC | 500V AC | | | | |
| 绝缘耐压 Dielectric withstanding voltage | 2000V AC | 2000V AC | | | | |
| 接触电阻 (Max) Contact resistance | 1.0mΩ | 1.0mΩ | | | | |
| 绝缘电阻 (Min) Insulation resistance | 500MΩ | 500MΩ | | | | |
| 线规 Wire gauge | 2.5*4.0mm ² /14*12AWG | 2.5*4.0mm ² /14*12AWG | | | | |
| 接线方式 Terminal type | □ 锁线/Screwing | | | | | |
| 线径直径 Cable dia | / | | | | | |
| 紧固扭矩 Tightening torque | 0.4N.m | | | | | |
| 防护等级 | 对接状态 | □ IP65 | □ IP67 | <input checked="" type="checkbox"/> IP68 | □ IPx9k | |
| 机械寿命 (Min) Operating cycles | 500次 | | | | | |
| 工作温度 Operating temperature | -40°C ~ +85°C(金属款/Metal shell) | | | | | |

表二: "A"尺寸/Length

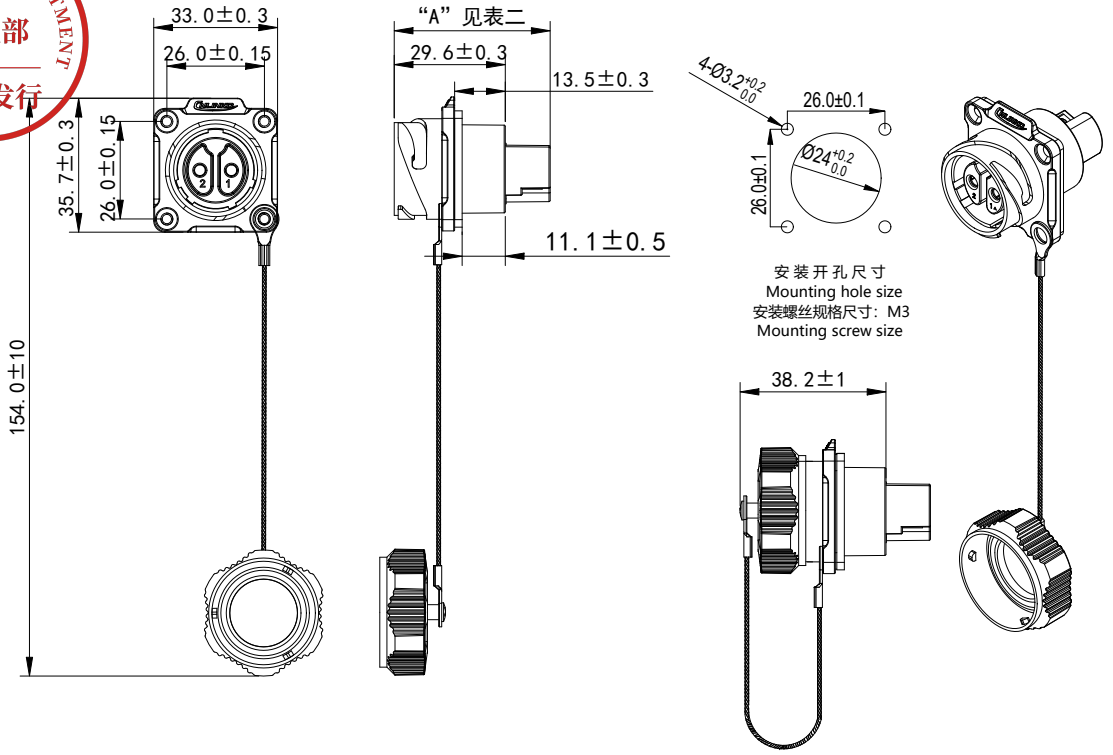
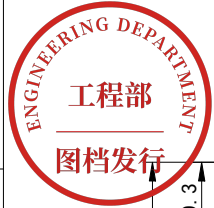
| 芯数 | 2芯 | 3芯 |
|--------------|---------------------|---------------------|
| 母端 Female | | |
| A | 40.9 "A"±0.5 | 40.9 "A"±0.5 |
| 公端 Male | | |
| A | 40.9 "A"±0.5 | 40.9 "A"±0.5 |

| | | | | | |
|--|-----|---------------------------------------|------------------------------|--|--|
| X.X±0.3 X°±3° X.XX±0.15 X.X°±1.0° X.XXX±0.100 未注圆角R0.2 | | TOLERANCES UNLESS OTHERWISE SPECIFIED | | 深圳市凌科电气有限公司 SHENZHEN LINKO ELECTRIC CO.,LTD | |
| DRAWN | 杨心今 | 2024/01/18 | TITLE: DH24型四孔法兰x插座金属款锁线式 | | |
| CHECKED | 杨武 | 2024/01/18 | UNIT: mm SIZE:A4 SHEET:1/2 | | |
| APPROVED | 宋星亮 | 2024/01/18 | P/N: DH-24-xxxSX-23-4xxx | | |
| PORJ. | | SCALE / | A1 | | |

THIS INFORMATION IS CONFIDENTIAL AND IS DISCLOSED TO YOU ON CONDITION THAT NO FURTHER DISCLOSURE IS MADE BY YOU TO OTHER THAN LINKO ELECTRIC PERSONNEL WITHOUT WRITTEN AUTHORIZATION FROM LINKO CORP.

COPYRIGHT - 2023 BY LINKO ELECTRIC COPYRIGHT

| | | | | | |
|---------|------|--------------|------------|-------|----------|
| ECN NO. | REV. | MODIFICATION | DATE | DRAWN | APPROVED |
| N/A | A1 | 初版发行 | 2024/01/18 | 杨今心 | 宋星亮 |



安装开孔尺寸
Mounting hole size
安装螺丝规格尺寸: M3
Mounting screw size

编码原则:

- Part Number rules
DH-24- X XX XX- X X -X XX X
1 2 3 4 5 6 7 8 9 10
- 产品系列: 以两个字母表示如LP/DH/BD/YF/YP/YW/YZ/LK...等
Product series is represented by two capital letters such as LP/DH/BD/YF/YP/YW/YZ/LK, etc.
 - 产品型号: 12/16/20/24/28.
Product number
 - 公母类别: C=公针/端 J=母针/端 K=公母混合
Interface type C=male pin/end J=female pin/end K=both male and female pins
 - 接口类别:
Interface type
 - 电源&信号: 非PIN针=00
Non-pin type=00
PIN针类: 01=单芯 02=2芯 03=3芯 04=4芯...
Pin type: 01=single pin 02=2 pin 03=3 pin 04=4 pin....
 - 数据&信号类: USB\HDMI\RJ45\ (光纤: LC/FC/SC/ST/MPO/MTP等).
Signal class: USB\HDMI\RJ45\ (optical fiber: LC/FC/SC/ST/MPO/MTP, etc.
数据&信号类范例:
Signal type example: /USB3A/1 0 0
- | | | | | | |
|---|-----|---|-----|---|-------|
| 0 | 0接口 | 0 | 不防水 | 0 | 带PCB板 |
| 1 | 1接口 | 1 | 防水 | 1 | 带Hsg |
| 2 | 2接口 | | | 2 | 口朝上 |
| | | | | 3 | 直通式 |
| | | | | 4 | 口朝下 |
| | | | | 5 | 带胶芯 |
| | | | | 6 | 胶芯带线 |
- 连接器类型 PE=插头 SX=插座 PP=对接插座
Connector Type PE=Plug SX=Receptacle PP=Floating connector
 - 接线方式 0=焊接 1=压接 2=锁线 3=铆接 4=其它
Wiring method 0=Soldering 1=Crimping 2=Screwing 3=Riveting 4=Other
 - 材料属性 1=塑胶+金属 2=全塑胶 3=全金属
Material 1=Plastic+metal 2=All plastic 3=All metal
 - 特殊码 0=插头 1=单孔直式插座 2=两孔法兰插座 4=四孔法兰插座
Special code 0=Plug/Floating connector 1=Single-hole straight receptacle
2=Two-hole flange receptacle 4=Four-hole flange receptacle
 - 流水码 Streaming code :01-99
 - 区别码空白或A ~Z / Distinction code: blank or A-Z

表一: 电气参数/Electrical parameters

| 芯数 | 2芯 | 3芯 | 4芯 | XX芯 | XX芯 | XX芯 |
|---|----------------------------------|----------|--------|-----|----------------|-----|
| 母端 Female | | | | | | |
| 公端 Male | | | | | | |
| 额定电流 Rated current | 25A | 25A | | | | |
| 额定电压 Rated voltage | 300V AC | 300V AC | | | | |
| 绝缘耐压 Dielectric withstanding voltage | 1500V AC | 1500V AC | | | | |
| 接触电阻 (Max) Contact resistance | 1.0mΩ | 1.0mΩ | | | | |
| 绝缘电阻 (Min) Insulation resistance | 500MΩ | 500MΩ | | | | |
| 线规 Wire gauge | 2.5*4.0mm ² /14~12AWG | | | | | |
| 接线方式 Terminal Type | ☐ 锁线/Screwing | | | | | |
| 线缆直径 Cable Dia | / | | | | | |
| 紧固扭矩 Tightening torque | 0.4N.m | | | | | |
| 防护等级 | 对接状态 ☐ IP65 | | ☐ IP67 | | ☑ IP68 ☐ IPx9k | |
| 机械寿命 (Min) Operating cycles | 500次 | | | | | |
| 工作温度 Operating temperature | -40°C ~ +85°C (金属款/Metal shell) | | | | | |

表二: "A"尺寸/Length

| 芯数 | 2芯 | 3芯 |
|--------------|-----------------------|-----------------------|
| 母端 Female | | |
| A | 40.9 "A" ± 0.5 | 40.9 "A" ± 0.5 |
| 公端 Male | | |
| A | 40.9 "A" ± 0.5 | 40.9 "A" ± 0.5 |

| | | | |
|---|----------|--|---------------------|
| X.X±0.3 X°±3° X.XX±0.15 X.X°±1.0° X.XXX±0.100 未注圆角R0.2 TOLERANCES UNLESS OTHERWISE SPECIFIED | | 深圳市凌科电气有限公司 SHENZHEN LINKO ELECTRIC CO.,LTD | |
| DRAWN | 杨今心 | 2024/01/18 | TITLE: |
| CHECKED | 杨武 | 2024/01/18 | DH24型四孔法兰x插座金属款锁 |
| APPROVED | 宋星亮 | 2024/01/18 | 线式 |
| UNIT: mm | SIZE: A4 | SHEET: 2/2 | P/N: |
| PORJ. | | SCALE / | DH-24-xxxSX-23-4xxx |
| | | | A1 |