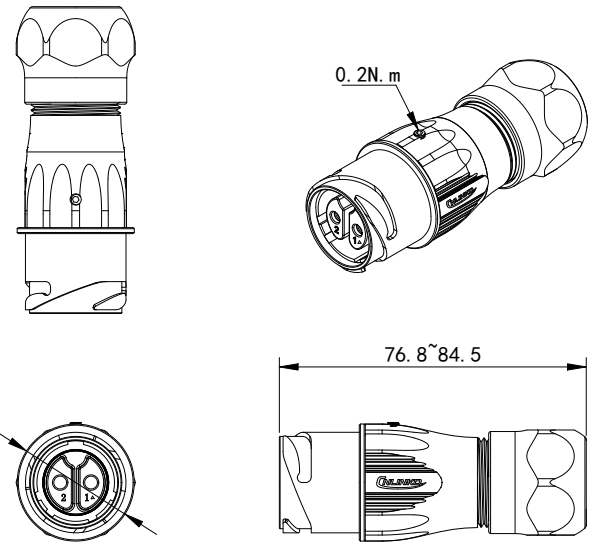


ECN NO.	REV.	MODIFICATION	DATE	DRAWN	APPROVED
N/A	A1	初版发行	2024/01/18	杨今心	宋星亮



编码原则:  
Part Number rules  
DH-24-X XX XX-X X-X XX X  
1 2 3 4 5 6 7 8 9 10

1. 产品系列: 以两个字母表示如LP/DH/BD/YF/YP/YW/YZ/LK...等  
Product series is represented by two capital letters such as LP/DH/BD/YF/YP/YW/YZ/LK, etc.

2. 产品型号: 12/16/20/24/28.  
Product number

3. 公母类别: C=公针/端 J=母针/端 K=公母混合  
Interface type C=male pin/end J=female pin/end K=both male and female pins

4. 接口类别:  
Interface type  
4.1 电源&信号: 非PIN针=00  
Non-pin type=00  
PIN针类: 01=单芯 02=2芯 03=3芯 04=4芯...  
Pin type: 01=single pin 02=2 pin 03=3 pin 04=4 pin....

4.2 数据&信号类: USB\HDMI\RJ45\ (光纤: LC/FC/SC/ST/MPO/MTP等).  
Signal class: USB\HDMI\RJ45\ (optical fiber: LC/FC/SC/ST/MPO/MTP, etc.)  
数据&信号类范例:  
Signal type example: /USB3A/1 0 0

0	0接口	0	不防水	0	带PCB板
1	1接口	1	防水	1	带Hsg
2	2接口			2	口朝上
				3	直通式
				4	口朝下
				5	带胶芯
				6	胶芯带线

5. 连接器类型 PE=插头 SX=插座 PP=对接插座  
Connector Type PE=Plug SX=Receptacle PP=Floating connector

6. 接线方式 0=焊接 1=压接 2=锁线 3=铆接 4=其它  
Wiring method 0=Soldering 1=Crimping 2=Screwing 3=Riveting 4=Other

7. 材料属性 1=塑胶+金属 2=全塑胶 3=全金属  
Material 1=Plastic+metal 2=All plastic 3=All metal

8. 特殊码 0=插头 1=单孔直式插座 2=两孔法兰插座 4=四孔法兰插座  
Special code 0=Plug/Floating connector 1=Single-hole straight receptacle  
2=Two-hole flange receptacle 4=Four-hole flange receptacle

9. 流水码 Streaming code :01-99

10. 区别码空白或A ~Z / Distinction code: blank or A-Z

表一: 电气参数/Electrical parameters

芯数	2芯	3芯	4芯	XX芯	XX芯	XX芯
母端 Female						
公端 Male						
额定电流 Rated current	25A	25A				
额定电压 Rated voltage	300V AC	300V AC				
耐压 (Max) Dielectric withstanding voltage	1500V AC	1500V AC				
接触电阻 (Max) Contact resistance	1.0mΩ	1.0mΩ				
绝缘电阻 (Min) Insulation resistance	500MΩ	500MΩ				
线径 Wire gauge	2.5*4.0mm <sup>2</sup> /14~12AWG	2.5*4.0mm <sup>2</sup> /14~12AWG				
接线方式 Terminal Type	<input type="checkbox"/> 锁线/Screwing					
线径范围 Cable OD	<input type="checkbox"/> φ5.0~φ7.0mm		<input type="checkbox"/> φ7.0~φ10.5mm		<input type="checkbox"/> φ10.5~φ14.0mm	
紧固扭矩 Tightening torque	2.5N.m(外壳shell)/0.2N.m/0.4N.m(导体conductor)					
防护等级 IP code	对接状态 <input type="checkbox"/> IP65		<input type="checkbox"/> IP67		<input checked="" type="checkbox"/> IP68 <input type="checkbox"/> IPx9k	
机械寿命 (Min) Operating cycles	500次					
工作温度 Operating temperature	-40°C ~ +85°C(金属款/Metal shell)					

X.X±0.3 X°±3° X.XX±0.15 X.X°±1.0° X.XXX±0.100 未注圆角R0.2 TOLERANCES UNLESS OTHERWISE SPECIFIED		 深圳市凌科电气有限公司 SHENZHEN LINKO ELECTRIC CO.,LTD	
DRAWN	杨今心	2024/01/18	TITLE:
CHECKED	杨武	2024/01/18	DH24型对接插座金属款锁线式
APPROVED	宋星亮	2024/01/18	
UNIT: mm	SIZE: A4	SHEET: 1/2	P/N:
PORJ.		SCALE /	DH-24-xxxPP-23-0xxx A1

THIS INFORMATION IS CONFIDENTIAL AND IS DISCLOSED TO YOU ON CONDITION THAT NO FURTHER DISCLOSURE IS MADE BY YOU TO OTHER THAN LINKO ELECTRIC PERSONNEL WITHOUT WRITTEN AUTHORIZATION FROM LINKO CORP.