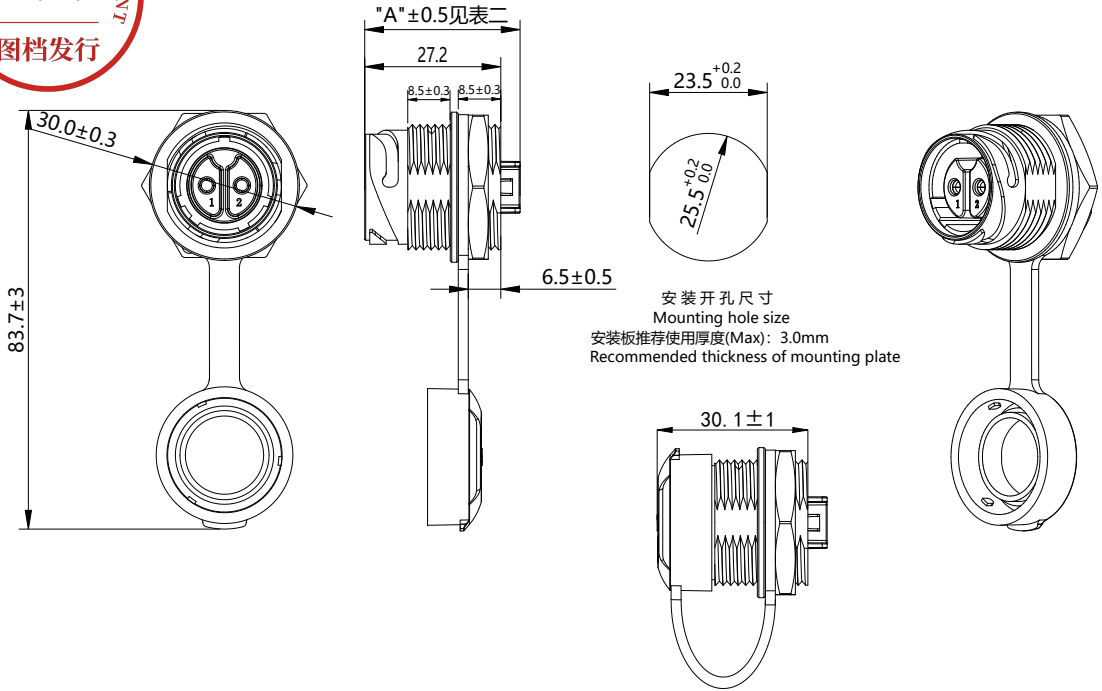


THIS INFORMATION IS CONFIDENTIAL AND IS DISCLOSED TO YOU ON CONDITION THAT NO FURTHER DISCLOSURE IS MADE BY YOU TO OTHER THAN LINKO ELECTRIC PERSONNEL WITHOUT WRITTEN AUTHORIZATION FROM LINKO CORP.

1 2 3 4 5 6 7 8 9 10
 COPYRIGHT - 2024 BY LINKO ELECTRIC COPYRIGHT



7	8	9	10
ECN NO.	REV.	MODIFICATION	DATE
/	A1	初版发行	2024/03/20
			杨今心
			宋星亮



编码原则:

Part Number rules

DH-20-X XX XX-X X-X XX X
 1 2 3 4 5 6 7 8 9 10

- 产品系列: 以两个字母表示如LP/DH/BD/YF/YP/YW/YZ/LK...等
 - 产品型号: 12/16/20/24/28.
Product number
 - 公母类别: C=公针/端 J=母针/端 K=公母混合
Interface type C=male pin/end J=female pin/end K=both male and female pins
 - 接口类别:
Interface type
 - 1 电源&信号: 非PIN针=00
Non-pin type=00
PIN针类: 01=单芯 02=2芯 03=3芯 04=4芯....
Pin type: 01=single pin 02=2 pin 03=3 pin 04=4 pin....
 - 2 数据&信号类: USB\HDMI\RJ45\ (光纤: LC/FC/SC/ST/MP0/MTP等).
Signal class: USB\HDMI\RJ45\ (optical fiber: LC/FC/SC/ST/MP0/MTP, etc.)
数据&信号类范例:
Signal type example: /USB3A/1 0 0
- | | | | | | |
|---|-----|---|-----|---|-------|
| 0 | 0接口 | 0 | 不防水 | 0 | 带PCB板 |
| 1 | 1接口 | 1 | 防水 | 1 | 带Hsg |
| 2 | 2接口 | | | 2 | 口朝上 |
| | | | | 3 | 直通式 |
| | | | | 5 | 带胶芯 |
| | | | | 4 | 口朝下 |
| | | | | 6 | 胶芯带线 |
- 连接器类型 PE=插头 SX=插座 PP=对接插座
Connector Type PE=Plug SX=Receptacle PP=Floating connector
 - 接线方式 0=焊接 1=压接 2=锁线 3=铆接 4=其它
Wiring method 0=Soldering 1=Crimping 2=Screwing 3=Riveting 4=Other
 - 材料属性 1=塑胶+金属 2=全塑胶 3=全金属
Material 1=Plastic+metal 2=All plastic 3=All metal
 - 特殊码 0=插头 1=单孔直式插座 2=两孔法兰插座 4=四孔法兰插座
Special code 0=Plug/Floating connector 1=Single-hole straight receptacle
2=Two-hole flange receptacle 4=Four-hole flange receptacle
 - 流水码Streaming code :01-99
 - 区别码空白或A ~Z / Distinction code:blank or A-Z

表一: 电气参数/Electrical parameters

芯数	2芯	3芯	4芯	5芯	7芯	8芯(2+6)	9芯	12芯	14芯
母端 Female									
公端 Male									
额定电流 Rated current	20A			10A		20A/5A		5A	
额定电压 Rated voltage	300V AC			250V AC		250V AC		250V AC	
耐压 (Max) Dielectric withstanding voltage	1500V AC			1500V AC		1500V AC		1500V AC	
接触电阻 (Max) Contact resistance	1.0mΩ			3.0mΩ		1.0mΩ/5.0mΩ		5.0mΩ	
绝缘电阻 (Min) Insulation resistance	500MΩ			500MΩ		500MΩ		500MΩ	
线规 Wire gauge	2.5~4.0mm ² /14~12AWG			1.0~1.5mm ² /18~16AWG		2.5~4.0mm ² /14~12AWG 0.34~0.5mm ² /22~20AWG		0.34~0.5mm ² /22~20AWG	
接线方式 Terminal Type	焊接/welding			焊接/welding		焊接/welding		焊接/welding	
线径直径 Cable Øp	/			/		/		/	
紧固扭矩 Tightening torque	2.5N.m			2.5N.m		2.5N.m		2.5N.m	
防护等级 Ip_code	对接状态 <input type="checkbox"/> IP65 <input type="checkbox"/> IP67 <input checked="" type="checkbox"/> IP68 <input type="checkbox"/> IPx9k								
机械寿命 (Min) Operating cycles	500次			500次		500次		500次	
工作温度 Operating temperature	-40°C ~ +85°C(金属款/Metal shell)								

X.X±0.3 X°±3° X.XX±0.15 X.X°±1.0° X.XXX±0.100 未注圆角R0.2		 深圳市凌科电气有限公司 SHENZHEN LINKO ELECTRIC CO.,LTD	
TOLERANCES UNLESS OTHERWISE SPECIFIED			
DRAWN	杨今心	2024/03/20	TITLE:
CHECKED	杨武	2024/03/20	DH20型xx芯单孔直式x插座金属款 焊接式(隔栏_防呆)
APPROVED	宋星亮	2024/03/20	P/N:
UNIT: mm	SIZE:A4	SHEET:1/2	DH-20-xxxSX-03-1xxA
PORJ.		SCALE: /	A1

THIS INFORMATION IS CONFIDENTIAL AND IS DISCLOSED TO YOU ON CONDITION THAT NO FURTHER DISCLOSURE IS MADE BY YOU TO OTHER THAN LINKO ELECTRIC PERSONNEL WITHOUT WRITTEN AUTHORIZATION FROM LINKO CORP.

COPYRIGHT - 2024		BY LINKO ELECTRIC COPYRIGHT									
母端 Female		3芯	4芯	5芯	7芯	8芯(2+6)	9芯	12芯	14芯		
A	31.1	31.1	31.4	30.0	28.5	31.7	29.7	29.7	29.3		
		"A"±0.5		"A"±0.5		"A"±0.5		"A"±0.5			
公端 Male		2芯	3芯	4芯	5芯	7芯	8芯(2+6)	9芯	12芯	14芯	
A	32.2	32.2	32.2	30.7	29.2	32.0	28.7	28.7	30.0		
		"A"±0.5		"A"±0.5		"A"±0.5		"A"±0.5			



ECN NO.	REV.	MODIFICATION	DATE	DRAW	APPROVED
/	A1	初版发行	2024/03/20	杨今心	宋星亮

X.X±0.3 X°±3° X.XX±0.15 X.X°±1.0° X.XXX±0.100 未注圆角R0.2 TOLERANCES UNLESS OTHERWISE SPECIFIED		深圳市凌科电气有限公司 SHENZHEN LINKO ELECTRIC CO.,LTD	
DRAWN	杨今心	2024/03/20	TITLE: DH20型xx芯单孔直式x插座金属款 焊接式(隔栏_防呆)
CHECKED	杨武	2024/03/20	
APPROVED	宋星亮	2024/03/20	P/N: DH-20-xxxSX-03-1xxA
UNIT: mm	SIZE:A4	SHEET:2/2	
PORJ.		SCALE : /	A1