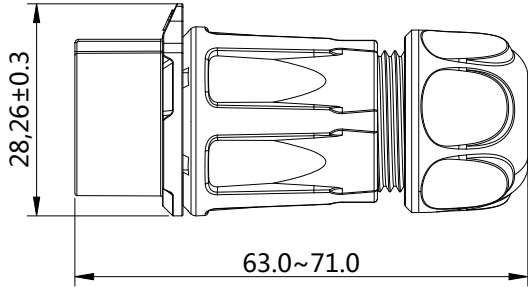
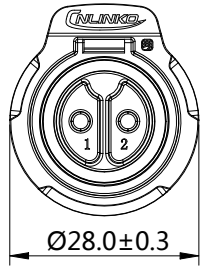
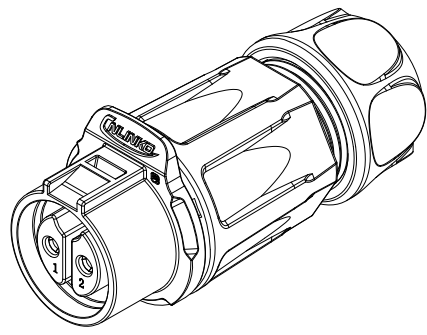
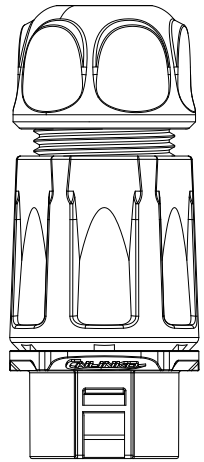
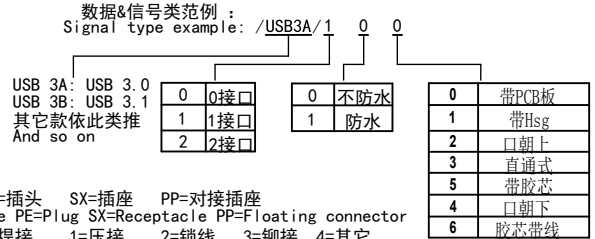


| ECN NO. | REV. | MODIFICATION | DATE | DRAW | APPROVED |
|---------|------|--------------|------------|------|----------|
| | A1 | 初版发行 | 2023/12/12 | 李锦和 | 宋星亮 |



常规产品

- 编码原则:
 Part Number rules
 XX-XX-X XX XX-X X-X XX X
 1 2 3 4 5 6 7 8 9 10
- 产品系列: 以两个字母表示如LP/DH/BD/YF/YP/YW/YZ/LK...等
 Product series is represented by two capital letters such as LP/DH/BD/YF/YP/YW/YZ/LK, etc.
 - 产品型号: 12/16/20/24/28.
 Product number
 - 公母类别: C=公针/端 J=母针/端 K=公母混合
 Interface type C=male pin/end J=female pin/end K=both male and female pins
 - 接口类别:
 Interface type
 4.1 电源&信号: 非PIN针=00
 Non-pin type=00
 PIN针类: 01=单芯 02=2芯 03=3芯 04=4芯...
 Pin type: 01=single pin 02=2 pin 03=3 pin 04=4 pin...
 4.2 数据&信号类: USB\HDMI\RJ45\ (光纤: LC/FC/SC/ST/MP0/MTP等).
 Signal class: USB\HDMI\RJ45\ (optical fiber: LC/FC/SC/ST/MP0/MTP, etc.)



表一: 电气参数

| 芯数 | 2芯 | 3芯 | 4芯 | 5芯 | 7芯 | 8芯(2+6) | 9芯 | 12芯 | 14芯 |
|--|--|----|-----------------------------------|----|---|---------|-----------------------------------|-----|--------|
| 母端 Female | | | | | | | | | |
| 公端 Male | | | | | | | | | |
| 额定电流 Rated current | 20A | | 10A | | 20A/5A | | 5A | | |
| 额定电压 Rated voltage | 500V AC | | 250V AC | | 1500V AC | | 1500V AC | | |
| 耐压 (Max) Dielectric withstanding voltage | 2000V AC | | 1500V AC | | 1500V AC | | 1500V AC | | |
| 接触阻抗 (Max) Contact resistance | 1.0mΩ | | 3.0mΩ | | 1.0mΩ/5.0mΩ | | 5.0mΩ | | |
| 绝缘阻抗 (Min) Insulation resistance | 500MΩ | | | | | | | | |
| 线规 Wire gauge | 2.5~4.0mm ² /14~12AWG | | 1.0~1.5mm ² / 18~16AWG | | 2.5~4.0mm ² /14~12AWG 0.34~0.5mm ² /22~20AWG | | 0.34~0.5mm ² /22~20AWG | | |
| 接线方式 Terminal Type | 焊接/welding | | | | | | | | |
| 线径范围 Cable OD | □φ5.0~φ6.5mm | | □φ6.5~φ8.5mm | | □φ8.5~φ10.0mm | | □φ10.0~φ12.0mm | | |
| 紧固扭矩 Tightening torque | 螺帽与对接外壳: 2.0N.m, 对接外壳与单孔座子: 3.0N.m / Nut and docking shell: 2.0N.m, Docking shell and single hole seat: 3.0N.m | | | | | | | | |
| 防护等级 IP code | 对接状态 □IP44 | | □IP65 | | □IP67 | | ☑IP68 | | □IPX9K |
| 机械寿命 (Min) Operating cycles | 500次 | | | | | | | | |
| 工作温度 Operating temperature | -25°C ~ +85°C(标准塑胶款/Standard Plastic shell); -40°C ~ +85°C(定制塑胶款/Customized Plastic shell) | | | | | | | | |

- 连接器类型 PE=插头 SX=插座 PP=对接插座
 Connector Type PE=Plug SX=Receptacle PP=Floating connector
- 接线方式 0=焊接 1=压接 2=锁线 3=铆接 4=其它
 Wiring method 0=Soldering 1=Crimping 2=Screwing 3=Riveting 4=Other
- 材料属性 1=塑胶+金属 2=全塑胶 3=全金属
 Material 1=Plastic+metal 2=All plastic 3=All metal
- 特殊码 0=插头 1=单孔直式插座 2=两孔法兰插座 4=四孔法兰插座
 Special code 0=Plug/Floating connector 1=Single-hole straight receptacle 2=Two-hole flange receptacle 4=Four-hole flange receptacle
- 流水码 Streaming code : 01~99
- 区别码空白或A~Z / Distinction code: blank or A-Z

| | | | | | |
|--|---------|---------------------------------------|---|--|--|
| X.X±0.3 X°±3° X.XX±0.15 X.X°±1.0° X.XXX±0.100 未注圆角R0.2 | | TOLERANCES UNLESS OTHERWISE SPECIFIED | | 深圳市凌科电气有限公司 SHENZHEN LINKO ELECTRIC CO.,LTD | |
| DRAWN | 李锦和 | 2023/12/12 | TITLE: LP20型xx芯对接插座塑胶款焊接式 (二代主体+隔栏_防呆+无孔密封) | | |
| CHECKED | 杨武 | 2023/12/12 | P/N : | | |
| APPROVED | 宋星亮 | 2023/12/12 | LP-20-xxxPP-02-0xxB | | |
| UNIT: mm | SIZE:A4 | SHEET:1/1 | SCALE 1 : 1 | | |
| PORJ. | | SCALE 1 : 1 | | A1 | |