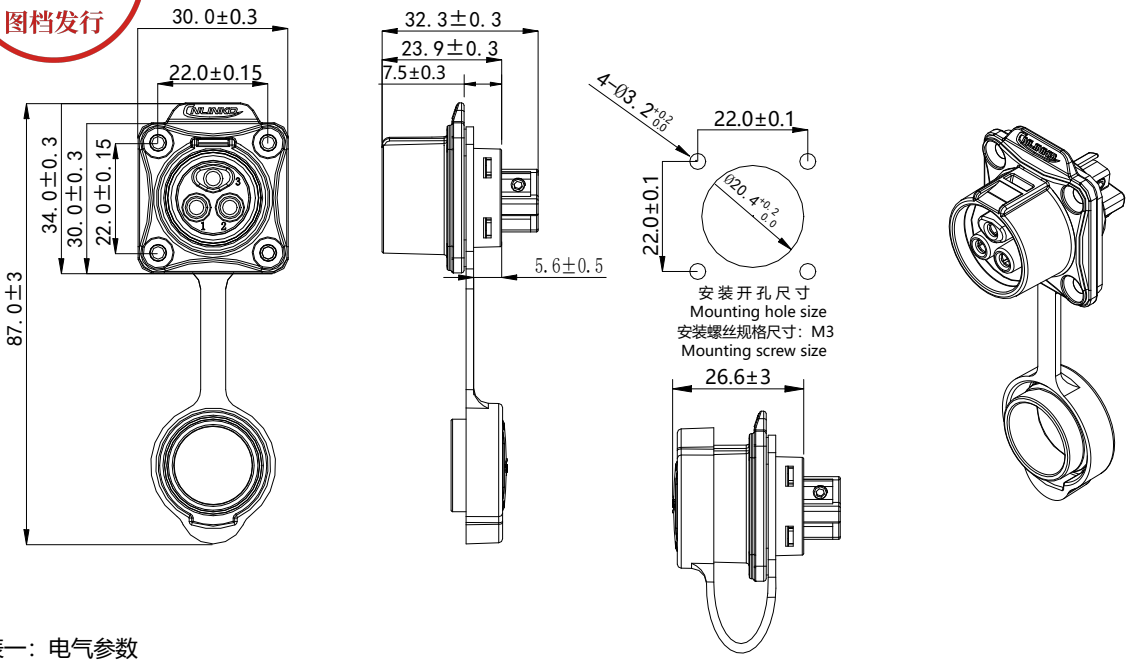


THIS INFORMATION IS CONFIDENTIAL AND IS DISCLOSED TO YOU ON CONDITION THAT NO FURTHER DISCLOSURE IS MADE BY YOU TO OTHER THAN LINKO ELECTRIC PERSONNEL WITHOUT WRITTEN AUT

1 2 3 4 5 6 7 8 9 10
 COPYRIGHT - 2023 BY LINKO ELECTRIC COPYRIGHT



安装开孔尺寸
 Mounting hole size
 安装螺丝规格尺寸: M3
 Mounting screw size

表一: 电气参数

芯数	2芯	3芯	4芯	5芯	7芯	9芯	12芯
公端 Male							
母端 Female							
额定电流 Rated current	20A			10A		5A	
额定电压 Rated voltage	500V AC				250V AC		
耐压 (Max) Dielectric withstanding voltage	2000V AC				1500V AC		
接触阻抗 (Max) Contact resistance	1.0mΩ			3.0mΩ		5.0mΩ	
绝缘阻抗 (Min) Insulation resistance	500MΩ						
线规 Wire gauge	2.5~4.0mm ² /14~12AWG			1.0~1.5mm ² / 18~16AWG		0.34~0.5mm ² /22~20AWG	
接线方式 Terminal type	锁线/Screwing						
线缆直径 Cable OD	/						
紧固扭矩 Tightening torque	0.4N.M						
防护等级 IP code	对接状态IP65~IP68 (IP65标配/可选IP67&IP68) /IP65~IP68 mated(P65 Standard/IP67&IP68 Option)						
机械寿命 (Min) Operating cycles	500次						
工作温度 Operating temperature	-40°C ~ +85°C(金属款/Metal shell)						

ECN NO.	REV.	MODIFICATION	DATE	DRAW	APPROVED
	A1	初版发行	2023/12/04	杨今心	宋星亮

编码原则:

Part Number rules

LP-20-x xx xx - x x - x xx x
 1 2 3 4 5 6 7 8 9 10

1. 产品系列: 以两个字母表示如LP/DH/BD/YF/YP/YW/YZ/LK...等
 Product series represented by two capital letters such as LP/DH/BD/YF/YP/YW/YZ/LK, etc.

2. 产品型号: 12/16/20/24/28.
 Product size

3. 公母类别: C=公针/端 J=母针/端 K=公母混合
 Interface type C=male pin/end J=female pin/end K=both male and female pins

4. 接口类别:
 Interface type

4.1 电源&信号: 非PIN针=00

Non-pin type=00

PIN针类: 01=单芯 02=2芯 03=3芯 04=4芯....

Pin type: 01=single pin 02=2 pin 03=3 pin 04=4 pin....

4.2 数据&信号类: USB\HDMI\RJ45(光纤: LC/FC/SC/ST/MPO/MTP等).

Signal class: USB\HDMI\RJ45(optical fiber: LC/FC/SC/ST/MPO/MTP, etc.

数据&信号类范例:

Signal type example: USB3A 1 0 0

USB 3A: USB 3.0
 USB 3B: USB 3.1
 其它款依此类推
 And so on

0	0接口	0	不防水	0	带PCB板
1	1接口	1	防水	1	带Hsg
2	2接口			2	口朝上
				3	直通式
				4	口朝下
				5	带胶芯
				6	胶芯带线

5. 连接器类型 PE=插头 SX=插座 PP=对接插座

Connector Type PE=Plug SX=Receptacle PP= Floating connector

6. 接线方式 0=焊接 1=压接 2=锁线 3=铆接 4=其它

Wiring method 0=Soldering 1=Cramping 2=Screwing 3=Riveting 4=Other

7. 材料属性 1=塑胶+金属 2=全塑胶 3=全金属

Material 1=Plastic+metal 2=All plastic 3=All metal

8. 特殊码 0=插头/对接插座 1=单孔直式插座 2=两孔法兰插座 4=四孔法兰插座

Special code 0=Plug/Floating connector 1=Single-hole straight receptacle

2=Two-hole flange receptacle 4=Four-hole flange receptacle

9. 流水码 Streaming code :01-99

10.A ~Z 表示产品版本升级/隔栏/防呆/ Version Upgrade/Barrier&Foolproof

X.X±0.3 X.XX±0.15 X.XXX±0.100		X°±3° X.X'±1.0° 未注圆角R0.2		 深圳市凌科电气有限公司 SHENZHEN LINKO ELECTRIC CO.,LTD	
TOLERANCES UNLESS OTHERWISE SPECIFIED					
DRAWN	杨今心	2023/12/04	TITLE:		
CHECKED	杨武	2023/12/04	LP20型3芯四孔法兰母		
APPROVED	宋星亮	2023/12/04	插座金属款锁线式(隔栏)		
UNIT: mm	SIZE:A4	SHEET:1/1	P/N:		A1
PORJ.		SCALE 1: 1	LP-20-J03SX-23-401A		