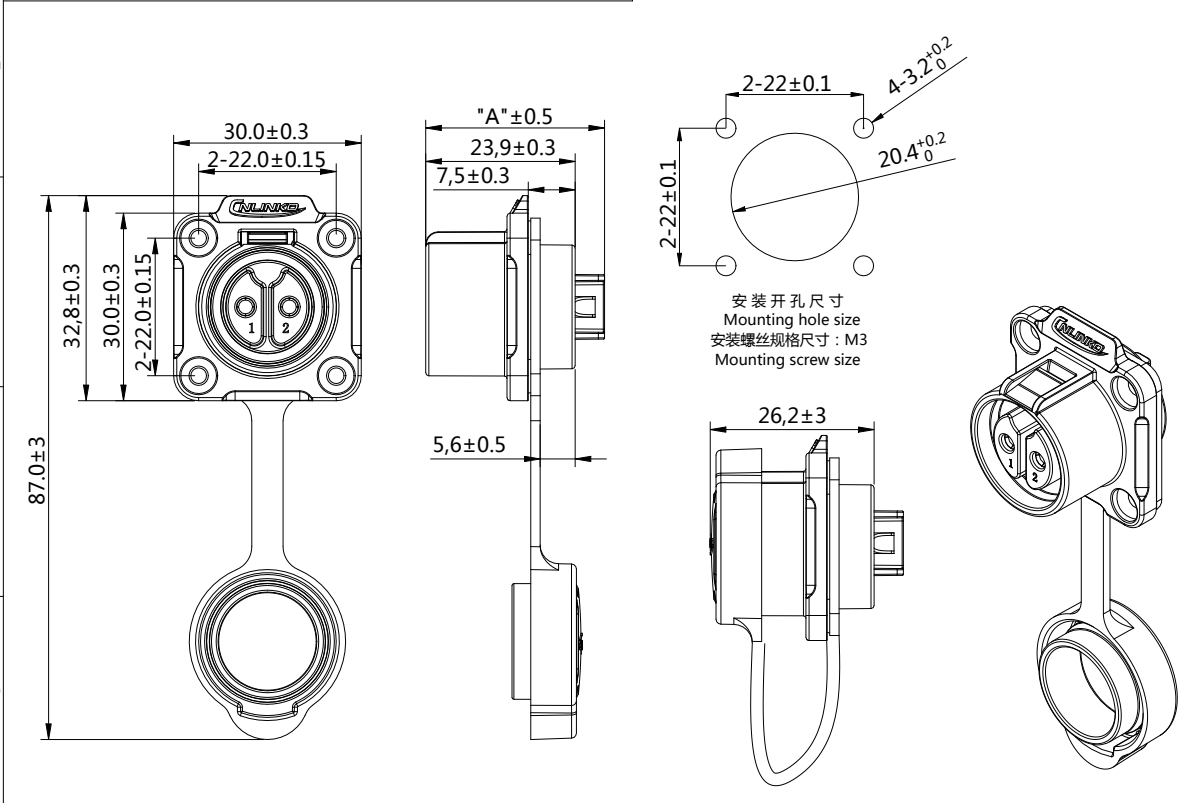


THIS INFORMATION IS CONFIDENTIAL AND IS DISCLOSED TO YOU ON CONDITION THAT NO FURTHER DISCLOSURE IS MADE BY YOU TO OTHER THAN LINKO ELECTRIC PERSONNEL WITHOUT WRITTEN AUTHORIZATION FROM LINKO CORP.

1 2 3  
COPYRIGHT - 2023 BY LINKO ELECTRIC COPYRIGHT

7	8	9	10
ECN NO.	REV.	MODIFICATION	DATE
	A1	初版发行	2023/12/15



安装开孔尺寸  
Mounting hole size  
安装螺丝规格尺寸: M3  
Mounting screw size

### 常规产品

- 编码原则:  
Part Number rules  
XX-XX-X XX XX-X X-XX X  
1 2 3 4 5 6 7 8 9 X
- 产品系列: 以两个字母表示如LP/DH/BD/YF/YP/YW/YZ/LK...等  
Product series represented by two capital letters such as LP/DH/BD/YF/YP/YW/YZ/LK, etc.
  - 产品型号: 12/16/20/24/28.  
Product number
  - 公母类别: C=公针/端 J=母针/端 K=公母混合  
Interface type C=male pin/end J=female pin/end K=both male and female pins
  - 接口类别:  
Interface type
    - 1电源&信号: 非PIN针=00  
Non-pin type=00  
PIN针类: 01=单芯 02=2芯 03=3芯 04=4芯...  
Pin type: 01=single pin 02=2 pin 03=3 pin 04=4 pin....
    - 2数据&信号类: USB\HDMI\RJ45\ (光纤: LC/FC/SC/ST/MPO/MTP等).  
Signal class: USB\HDMI\RJ45\ (optical fiber: LC/FC/SC/ST/MPO/MTP, etc.)

数据&信号类范例:  
Signal type example: /USB3A/1 0 0

USB 3A: USB 3.0	0 0接口	0 不防水	0 带PCB板
USB 3B: USB 3.1	1 1接口	1 防水	1 带Hsg
其它款依此类推 And so on	2 2接口		2 直通式
			3 带胶芯
			4 口朝下
			6 胶芯带线

表一: 电气参数

芯数	2芯	3芯	4芯	5芯	7芯	8芯(2+6)	9芯	12芯	14芯
母端 Female									
公端 Male									
额定电流 Rated current	20A		10A		20A/5A		5A		
额定电压 Rated voltage	500V AC		250V AC		2000V AC		1500V AC		
耐压 (Max) Dielectric withstanding voltage	2000V AC		1500V AC		2000V AC		1500V AC		
接触电阻 (Max) Contact resistance	1.0mΩ		3.0mΩ		1.0mΩ/5.0mΩ		5.0mΩ		
绝缘电阻 (Min) Insulation resistance	500MΩ		500MΩ		500MΩ		500MΩ		
线规 Wire gauge	2.5~4.0mm <sup>2</sup> /14~12AWG		1.0~1.5mm <sup>2</sup> /18~16AWG		2.5~4.0mm <sup>2</sup> /14~12AWG 0.34~0.5mm <sup>2</sup> /22~20AWG		0.34~0.5mm <sup>2</sup> /22~20AWG		
接线方式 Terminal type	焊接/welding								
线径直径 Cable dia	/								
紧固扭矩 Tightening torque	0.4N.m								
防护等级 IP code	对接状态 □IP44 □IP65		□IP67		☑IP68		□IPX9K		
机械寿命 (Min) Operating cycles	500次								
工作温度 Operating temperature	-40°C~+85°C(金属款/Metal shell)								

- 连接器类型 PE=插头 SX=插座 PP=对接插座  
Connector Type PE=Plug SX=Receptacle PP=Floating connector
- 接线方式 0=焊接 1=压接 2=锁线 3=铆接 4=其它  
Wiring method 0=Soldering 1=Crimping 2=Screwing 3=Riveting 4=Other
- 材料属性 1=塑胶+金属 2=全塑胶 3=全金属  
Material 1=Plastic+metal 2=All plastic 3=All metal
- 特殊码 0=插头 1=单孔直式插座 2=两孔法兰插座 4=四孔法兰插座  
Special code 0=Plug/Floating connector 1=Single-hole straight receptacle 2=Two-hole flange receptacle 4=Four-hole flange receptacle
- 流水码 Streaming code : 01-99
- 区别码空白或A~Z / Distinction code: blank or A-Z

X.X±0.3 X°±3° X.XX±0.15 X.X°±1.0° X.XXX±0.100 未注圆角R0.2		TOLERANCES UNLESS OTHERWISE SPECIFIED	
DRAWN	李锦和	2023/12/15	TITLE:
CHECKED	杨武	2023/12/15	LP20型XX芯四孔法兰插座金属款焊
APPROVED	宋星亮	2023/12/15	接式(二代主体+隔栏_防呆+无孔密封)
UNIT: mm	SIZE:A4	SHEET:1/2	P/N:
PORJ.		SCALE 1: 1	LP-20-xxxSX-03-4xxB

7	8	9	10
ECN NO.	REV.	MODIFICATION	DATE
	A1	初版发行	2023/12/15
			李锦和 宋星亮

表二(“A”尺寸对照)

	2芯	3芯	4芯	5芯	7芯	8芯(2+6)	9芯	12芯	14芯
母端 Female									
A	28.8	28.8	29.0	27.6	26.1	29.3	27.3	27.3	26.9
公端 Male									
A	29.8	29.8	29.8	28.3	26.8	29.8	26.3	26.3	27.6



X.X±0.3 X.XX±0.15 X.XXX±0.100		X°±3° X.X°±1.0° 未注圆角R0.2		TOLERANCES UNLESS OTHERWISE SPECIFIED		 深圳市凌科电气有限公司 SHENZHEN LINKO ELECTRIC CO.,LTD	
DRAWN	李锦和	2023/12/15	TITLE:				
CHECKED	杨武	2023/12/15	LP20型XX芯四孔法兰插座金属款焊接式(二代主体+隔栏_防呆+无孔密封)				
APPROVED	宋星亮	2023/12/15	P/N:				
UNIT: mm	SIZE:A4	SHEET:2/2	LP-20-xxxSX-03-4xxB				
PORJ.		SCALE 1: 1	A1				

THIS INFORMATION IS CONFIDENTIAL AND IS DISCLOSED TO YOU ON CONDITION THAT NO FURTHER DISCLOSURE IS MADE BY YOU TO OTHER THAN LINKO ELECTRIC PERSONNEL WITHOUT WRITTEN AUTHORIZATION FROM LINKO CO., LTD.