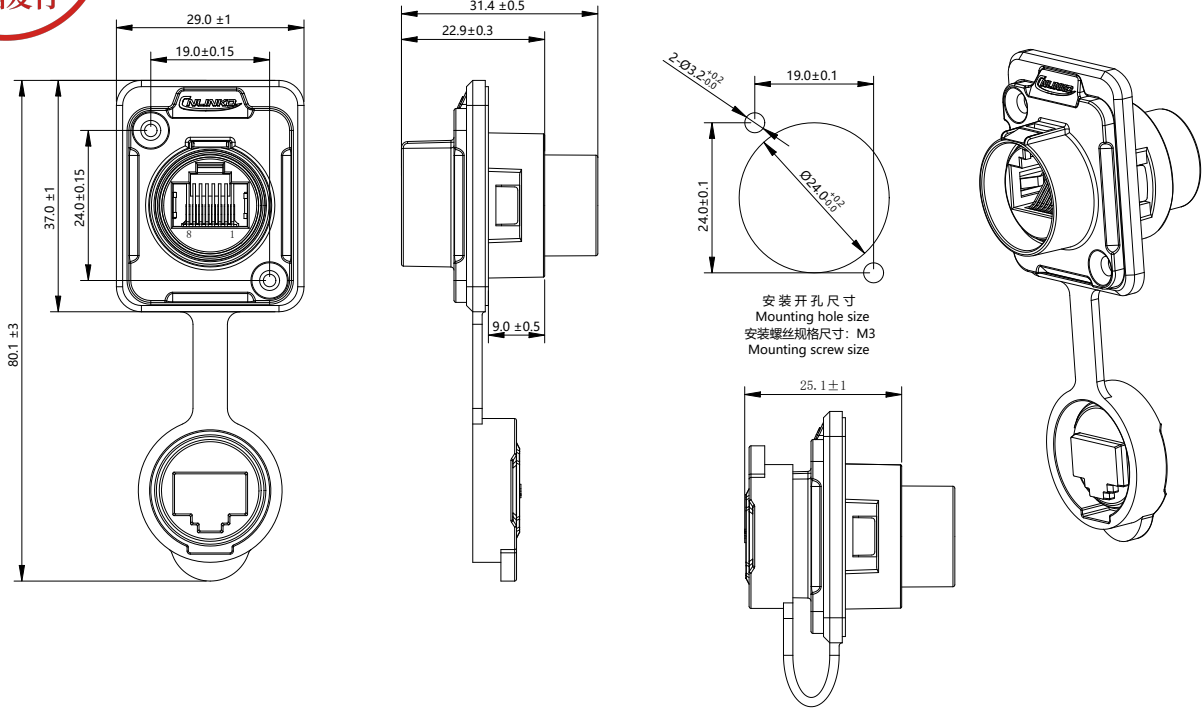


ECN NO.	REV.	MODIFICATION	DATE	DRAW	APPROVED
ECNXXXXXX	A1	初版发行	2024/03/15	杨今心	宋星亮



安装开孔尺寸  
 Mounting hole size  
 安装螺丝规格尺寸: M3  
 Mounting screw size

编码原则:  
 Part Number rules  
 LP-16- X XX XX- X X -X XX X  
 1 2 3 4 5 6 7 8 9 10  
 1. 产品系列: 以两个字母表示如LP/DH/BD/YF/YW/YZ/LK...等  
 Product series is represented by two capital letters such as LP/DH/BD/YF/YW/YZ/LK, etc.  
 2. 产品型号: 12/16/20/24/28.  
 Product number  
 3. 公母类别: C=公针/端 J=母针/端 K=公母混合  
 Interface type C=male pin/end J=female pin/end K=both male and female pins  
 4. 接口类别:  
 Interface type  
 4.1 电源&信号: 非PIN针=00  
 Non-pin type=00  
 PIN针类: 01=单芯 02=2芯 03=3芯 04=4芯....  
 Pin type: 01=single pin 02=2 pin 03=3 pin 04=4 pin....  
 4.2 数据&信号类: USB\HDMI\RJ45\ (光纤: LG/FC/SC/ST/MPQ/MTP等).  
 Signal class: USB\HDMI\RJ45\ (optical fiber: LG/FC/SC/ST/MPQ/MTP, etc.)  
 数据&信号类范例:  
 Signal type example: /USB3A/1 0 0  

0	0接口	0	不防水	0	带PCB板
1	1接口	1	防水	1	带Hsg
2	2接口			2	口朝上
				3	直通式
				4	口朝下
				5	带胶芯
				6	胶芯带线

 USB 3A: USB 3.0  
 USB 3B: USB 3.1  
 其它款依此类推  
 And so on  
 5. 连接器类型 PE=插头 SX=插座 PP=对接插座  
 Connector Type PE=Plug SX=Receptacle PP=Floating connector  
 6. 接线方式 0=焊接 1=压接 2=锁线 3=铆接 4=其它  
 Wiring method 0=Soldering 1=Crimping 2=Screwing 3=Riveting 4=Other  
 7. 材料属性 1=塑胶+金属 2=全塑胶 3=全金属  
 Material 1=Plastic+metal 2=All plastic 3=All metal  
 8. 特殊码 0=插头 1=单孔直式插座 2=两孔法兰插座 4=四孔法兰插座  
 Special code 0=Plug/Floating connector 1=Single-hole straight receptacle  
 2=Two-hole flange receptacle 4=Four-hole flange receptacle  
 9. 流水码Streaming code :01-99  
 10. 区别码空白或A Z / Distinction code:blank or A-Z

- 技术要求 Specifications:
1. 额定电流 Rated current : 1.5A
  2. 额定电压 Rated voltage : 125VAC
  3. 耐压 Dielectric withstanding voltage:1000VAC
  4. 绝缘阻抗 Insulation resistance(Min): 500MΩ
  5. 接触阻抗 Contact resistance(Max): 30 mΩ
  6. 适用线规 Wire gauge:/
  7. 适用线径(外被) Cable OD: /mm
  8. 防护等级 IP code: IP65 IP67 IP68 IPx9k
  9. 机械寿命 Operating cycles(Min):500次
  10. 紧固扭矩Tightening torque:0.4N.m
  11. 工作温度 Operating temperature:-40°C ~ +85°C(金属款/Metal shell)
  12. 传输速率Transmission rate: CAT.3

X.X±0.3 X°±3° X.XX±0.15 X.X°±1.0° X.XXX±0.100 未注圆角R0.2 TOLERANCES UNLESS OTHERWISE SPECIFIED		 深圳市凌科电气有限公司 SHENZHEN LINKO ELECTRIC CO.,LTD	
DRAWN	杨今心	2024/03/15	TITLE: LP16型RJ45两孔法兰母插座金属款 其它接线(双口直通式+包边防尘盖)
CHECKED	杨武	2024/03/15	
APPROVED	宋星亮	2024/03/15	P/N: LP-16-J/RJ45/110/SX-03-201
UNIT: mm	SIZE:A4	SHEET:1/1	
PORJ.		SCALE: /	A1

THIS INFORMATION IS CONFIDENTIAL AND IS DISCLOSED TO YOU ON CONDITION THAT NO FURTHER DISCLOSURE IS MADE BY YOU TO OTHER THAN LINKO ELECTRIC PERSONNEL WITHOUT WRITTEN AUTHORIZATION FROM LINKO CORP.