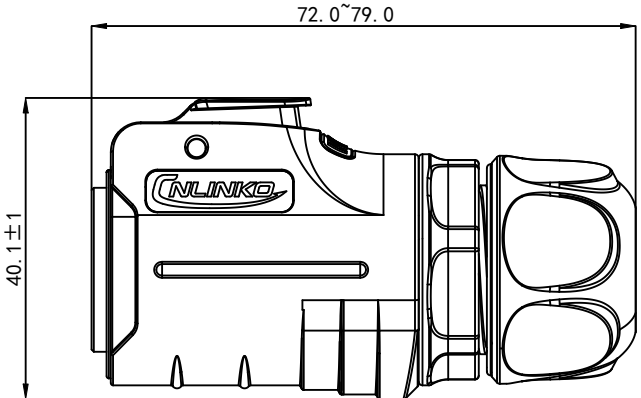
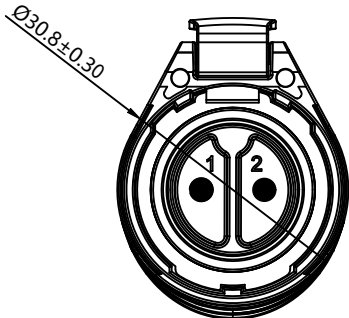
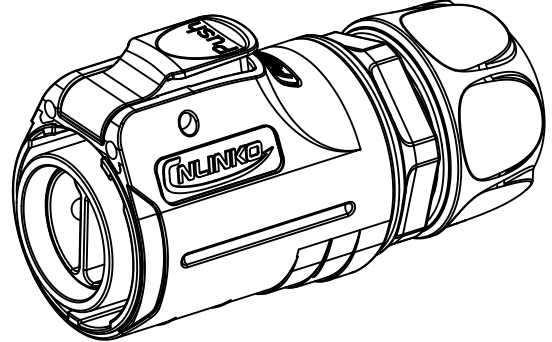
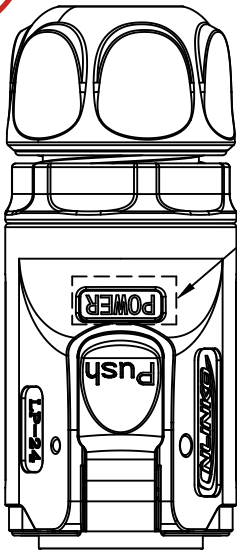


ECN NO.	REV.	MODIFICATION	DATE	DRAWN	APPROVED
N/A	A1	初版发行	2024/04/22	杨今心	宋星亮



红色	POWER
黄色	RJ45
蓝色	USB
蓝色	HDMI
绿色	OPTICAL
颜色	印字内容



编码原则:

Part Number rules

LP-24-X XX XX-X X-X XX X

1 2 3 4 5 6 7 8 9 10

1. 产品系列: 以两个字母表示如LP/DH/BD/YF/YP/YW/YZ/LK...等
Product series is represented by two capital letters such as LP/DH/BD/YF/YP/YW/YZ/LK, etc.

2. 产品型号: 12/16/20/24/28.
Product number

3. 公母类别: C=公针/端 J=母针/端 K=公母混合
Interface type C=male pin/end J=female pin/end K=both male and female pins

4. 接口类别:
Interface type

4.1 电源&信号: 非PIN针=00

Non-pin type=00

PIN针类: 01=单芯 02=2芯 03=3芯 04=4芯....

Pin type: 01=single pin 02=2 pin 03=3 pin 04=4 pin....

4.2 数据&信号类: USB\HDMI\RJ45\ (光纤: LC/FC/SC/ST/MPO/MTP等).

Signal class: USB\HDMI\RJ45\ (optical fiber: LC/FC/SC/ST/MPO/MTP, etc.

数据&信号类范例:

Signal type example: /USB3A/1 0 0

USB 3A:	USB 3.0	0	0接口
USB 3B:	USB 3.1	1	1接口
其它款依此类推		2	2接口
And so on			

0	不防水
1	防水

0	带PCB板
1	带Hsg
2	口朝上
3	直通式
4	口朝下
5	带胶芯
6	胶芯带线

5. 连接器类型 PE=插头 SX=插座 PP=对接插座

Connector Type PE=Plug SX=Receptacle PP=Floating connector

6. 接线方式 0=焊接 1=压接 2=锁线 3=铆接 4=其它

Wiring method 0=Soldering 1=Crimping 2=Strapping 3=Riveting 4=Other

7. 材料属性 1=塑胶+金属 2=全塑胶 3=全金属

Material 1=Plastic+metal 2=All plastic 3=All metal

8. 特殊码 0=插头 1=单孔直式插座 2=两孔法兰插座 4=四孔法兰插座

Special code 0=Plug/Floating connector 1=Single-hole straight receptacle

2=Two-hole flange receptacle 4=Four-hole flange receptacle

9. 流水码Streaming code :01-99

10. 区别码空白或A ~Z / Distinction code:blank or A-Z

X.X±0.3	X°±3°
X.XX±0.15	X.X°±1.0°
X.XXX±0.100	未注圆角R0.2
TOLERANCES UNLESS OTHERWISE SPECIFIED	

LINKO
深圳市凌科电气有限公司
SHENZHEN LINKO ELECTRIC CO.,LTD

DRAWN	杨今心	2024/04/22
CHECKED	杨武	2024/04/22
APPROVED	宋星亮	2024/04/22
UNIT: mm	SIZE: A4	SHEET: 1/2
PORJ.		SCALE /

TITLE:	LP24型插头塑胶+金属款
P/N:	
	A1

THIS INFORMATION IS CONFIDENTIAL AND IS DISCLOSED TO YOU ON CONDITION THAT NO FURTHER DISCLOSURE IS MADE BY YOU TO OTHER THAN LINKO ELECTRIC PERSONNEL WITHOUT WRITTEN AUTHORIZATION FROM LINKO CORP.

THIS INFORMATION IS CONFIDENTIAL AND IS DISCLOSED TO YOU ON CONDITION THAT NO FURTHER DISCLOSURE IS MADE BY YOU TO OTHER THAN LINKO ELECTRIC PERSONNEL WITHOUT WRITTEN AUTHORIZATION FROM LINKO CORP.

COPYRIGHT - 2023		BY LINKO ELECTRIC COPYRIGHT		ECN NO.		REV.		MODIFICATION		DATE		DRAWN		APPROVED	
				N/A		A1		初版发行		2024/04/22		杨今心		宋星亮	

表一：电气参数/Electrical parameters

芯数	2芯	3芯	3芯	3芯	4芯	10芯	12芯	19芯	24芯	
母端 Female										
额定电流 Rated current	25A	35A	25A	35A	45A	25A	10A	10A	5A	5A
额定电压 Rated voltage	500V AC	300V AC	500V AC	300V AC	230V AC	500V AC	400V AC	400V AC	250V AC	250V AC
耐压 (Max) Dielectric withstanding voltage	2000V AC	1500V AC	2000V AC	1500V AC	1500V AC	2000V AC	2000V AC	2000V AC	1500V AC	1500V AC
接触阻抗 (Max) Contact resistance	1.0mΩ	1.0mΩ	1.0mΩ	1.0mΩ	1.0mΩ	1.0mΩ	3mΩ	3mΩ	5mΩ	5mΩ
绝缘阻抗 (Min) Insulation resistance	500MΩ	500MΩ	500MΩ	500MΩ	500MΩ	500MΩ	500MΩ	500MΩ	500MΩ	500MΩ
线径 Wire gauge	2.5*4.0mm ² /14*12AWG	6.0*8.0mm ² /10*8AWG	2.5*4.0mm ² /14*12AWG	6.0*8.0mm ² /10*8AWG	8(电源) ^{10(电子)} mm ² /8*6AWG	2.5*4.0mm ² /14*12AWG	1.0*1.5mm ² /18*16AWG	1.0*1.5mm ² /18*16AWG	0.34*0.5mm ² /22*20AWG	0.34*0.5mm ² /22*20AWG
接线方式 Terminal Type	<input type="checkbox"/> 焊接/welding									
线径范围 Cable OD	<input type="checkbox"/> φ5.0~φ7.0mm			<input type="checkbox"/> φ7.0~φ10.5mm			<input type="checkbox"/> φ10.5~φ14.0mm			
紧固扭矩 Tightening torque	2.6N.m									
防护等级 IP code	对接状态 <input type="checkbox"/> IP65		<input type="checkbox"/> IP67		<input checked="" type="checkbox"/> IP68		<input type="checkbox"/> IPx9k			
机械寿命 (Min) Operating cycles	500次									
工作温度 Operating temperature	-25°C ~ +85°C(标准塑胶款/Standard Plastic shell); -40°C ~ +85°C(定制塑胶款/Customized Plastic shell)									

表一：电气参数/Electrical parameters

芯数	RJ45_CAT. 3	RJ45_CAT. 6	USB2.0	USB3.0	HDMI 2.0	HDMI 2.1	光纤 (单模单芯)	光纤 (单模双芯)
公端 Male								
母端 Female								
额定电流 Rated current	1.5	1.5	1.5A	1.8A	0.5A	0.5A	/	/
额定电压 Rated voltage	125V AC	125V AC	5V AC	5V AC	5V AC	5V AC	/	/
耐压 (Max) Dielectric withstanding voltage	1000V AC	1000V AC	100V AC	100V AC	100V AC	100V AC	/	/
接触阻抗 (Max) Contact resistance	30mΩ	30mΩ	30mΩ	30mΩ	30mΩ	30mΩ	/	/
绝缘阻抗 (Min) Insulation resistance	500MΩ	500MΩ	100MΩ	100MΩ	100MΩ	100MΩ	/	/
插损 (Max) Insertion loss	/	/	/	/	/	/	0.35dB	0.35dB
回损 (Min) Return Loss	/	/	/	/	/	/	50dB	50dB
线径范围 Cable OD	<input type="checkbox"/> φ5.0~φ7.0mm			<input type="checkbox"/> φ7.0~φ10.5mm			<input type="checkbox"/> φ10.5~φ14.0mm	
紧固扭矩 Tightening torque	2.6N.m							
防护等级 IP code	对接状态 <input type="checkbox"/> IP65		<input type="checkbox"/> IP67		<input checked="" type="checkbox"/> IP68		<input type="checkbox"/> IPx9k	
机械寿命 (Min) Operating cycles	500次							
工作温度 Operating temperature	-25°C ~ +85°C(标准塑胶款/Standard Plastic shell); -40°C ~ +85°C(定制塑胶款/Customized Plastic shell)							

X.X±0.3		X°±3°		 深圳市凌科电气有限公司 SHENZHEN LINKO ELECTRIC CO.,LTD	
X.XX±0.15		X.X'±1.0°			
X.XXX±0.100		未注圆角R0.2			
TOLERANCES UNLESS OTHERWISE SPECIFIED				TITLE:	
DRAWN	杨今心	2024/04/22	LP24型插头塑胶+金属款		
CHECKED	杨武	2024/04/22			
APPROVED	宋星亮	2024/04/22			
UNIT: mm	SIZE:A4	SHEET:2/2	P/N:		LP-24-xxxPE-x1-0xxx
PORJ.		SCALE /			A1