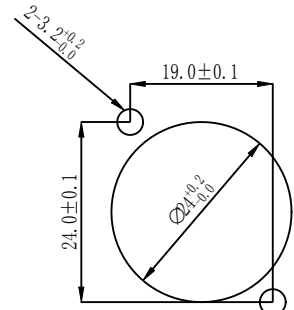
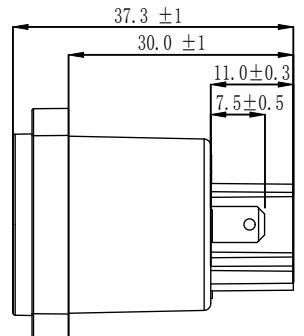
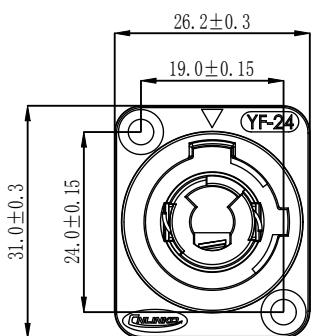
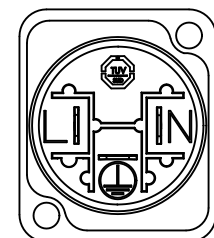
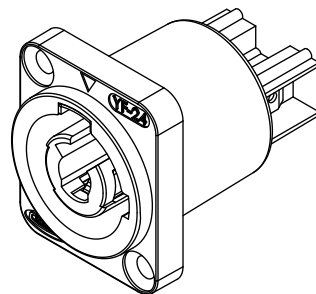


ECN NO.	REV.	MODIFICATION	DATE	DRAWN	APPROVED
N/A	A1	初版发行	2023/11/17	杨今心	宋星亮
				XXX	XXX



安装开孔尺寸  
Mounting hole size  
安装螺丝规格尺寸: M3  
Mounting screw size

编码原则:

Part Number rules

YF- 24- C 03 SX- XX- XXX X  
1 2 3 4 5 6 7 8

- 产品系列: 以两个字母表示如LP/DH/BD/YF/YP/YW/YZ/LK...等。  
Type descriptions it can be LP/DH/BD/YF/YP/YW/YZ/LK, etc.
- 产品型号: 24  
Product Size
- 公母类别: C=公针 J=母针  
Interface type C=male pin/end J=female pin/end
- 接口类别:  
Interface type

非PIN针=00  
Non-pin type=00  
PIN针类: 01=单芯 02=2芯 03=3芯 04=4芯....  
Pin type: 01=single pin 02=2 pin 03=3 pin 04=4 pin....

- 连接器类型 PE=插头 SX=插座 PP=对接插座  
Connector Type PE=Plug SX=Receptacle PP=Free Receptacle
- 序列号Serial number: 01-99
- 流水码Streaming code: 001-999
- A ~ Z 表示产品版本升级/Version Upgrade

X.X±0.3 X°±3° X.XX±0.15 X.X°±1.0° X.XXX±0.100 未注圆角R0.2 TOLERANCES UNLESS OTHERWISE SPECIFIED			深圳市凌科电气有限公司 SHENZHEN LINKO ELECTRIC CO.,LTD		
DRAWN	杨今心	2023/11/17	TITLE:		
CHECKED	杨武	2023/11/17	YF24型3芯两孔法兰公插座塑胶款		
APPROVED	宋星亮	2023/11/17	其它接线(右+IP44)		
UNIT: mm	SIZE: A4	SHEET: 1/1	P/N:		A1
PORJ.		SCALE 1: 1	YF-24-C03SX-XX-XXX		

技术要求 Specifications:

- 额定电流 Rated current: 20A
- 额定电压 Rated voltage: 500V AC
- 耐电压 Dielectric withstanding voltage (Max): 2000V
- 接触阻抗 Contact resistance (Max): L和N:1mΩ 地线:5mΩ
- 绝缘阻抗 Insulation resistance (Max): 500MΩ
- 适用线规 Wire gauge (Max): 4.0~2.5mm<sup>2</sup>/12~14AWG
- 适用线径(外被) Cable OD: /
- 防护等级 IP code: IP44 (连接状态)
- 机械寿命 Operating cycles (Min): ≥500次
- 工作温度 Operating temperature: -25°C ~ +85°C
- 紧固扭矩 Tightening torque: 0.4 N.M

THIS INFORMATION IS CONFIDENTIAL AND IS DISCLOSED TO YOU ON CONDITION THAT NO FURTHER DISCLOSURE IS MADE BY YOU TO OTHER THAN LINKO ELECTRIC PERSONNEL WITHOUT WRITTEN AUTHORIZATION FROM LINKO CORP.